

# PRODUCT INFORMATION PACKET

Model No: 5KH36MN3127T  
Catalog No: 4684  
1/2,1725,DP,56Z,1/60/115/230  
Fan and Blower



Regal and Marathon are trademarks of Regal Beloit Corporation or one of its affiliated companies.  
©2018 Regal Beloit Corporation, All Rights Reserved. MC017097E

**Nameplate Specifications**

Output HP	<b>1/2 Hp</b>	Output KW	<b>0.37 kW</b>
Frequency	<b>60 Hz</b>	Voltage	<b>115/230 V</b>
Current	<b>8.9,4.5 A</b>	Speed	<b>1725 rpm</b>
Service Factor	<b>1.25</b>	Phase	<b>1</b>
Efficiency	<b>57.6 %</b>	Duty	<b>Continuous</b>
Insulation Class	<b>B</b>	KVA Code	<b>N</b>
Frame	<b>56Z</b>	Enclosure	<b>Drip Proof</b>
Overload Protector	<b>AUTO</b>	Ambient Temperature	<b>40 °C</b>
Drive End Bearing Size	<b>6203</b>	Opp Drive End Bearing Size	<b>6203</b>
UL	<b>Recognized</b>	CSA	<b>Yes</b>
CE	<b>N</b>		

**Technical Specifications**

Electrical Type	<b>Split Phase</b>	Starting Method	<b>SM</b>
Poles	<b>4</b>	Rotation	<b>Counterclockwise/Clockwise</b>
Mounting	<b>Resilient Base</b>	Motor Orientation	<b>ANY</b>
Drive End Bearing	<b>BALL</b>	Opp Drive End Bearing	<b>BALL</b>
Frame Material	<b>Rolled Steel</b>	Overall Length	<b>10.8 in</b>
Frame Length	<b>6.22 in</b>	Shaft Diameter	<b>0.5 in</b>
Shaft Extension	<b>2.25 in</b>	Thru-bolts Extension	<b>0</b>
Outline Drawing	<b>52A101925P2</b>	Connection Diagram	<b>52A105383AA</b>

**This is an uncontrolled document once printed or downloaded and is subject to change without notice. Date Created: 10/08/2018**

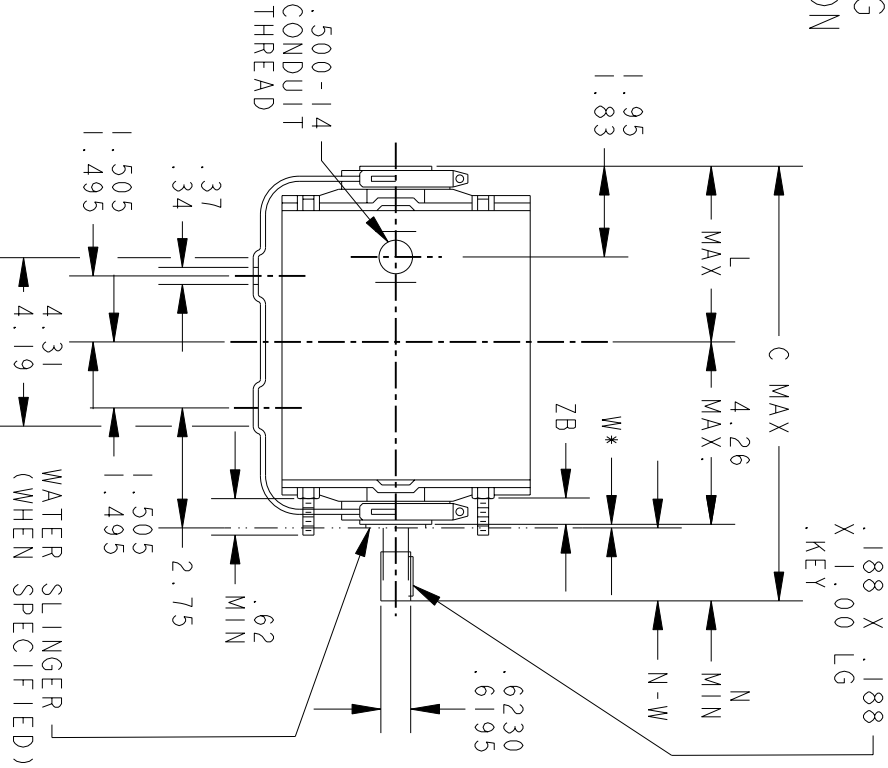
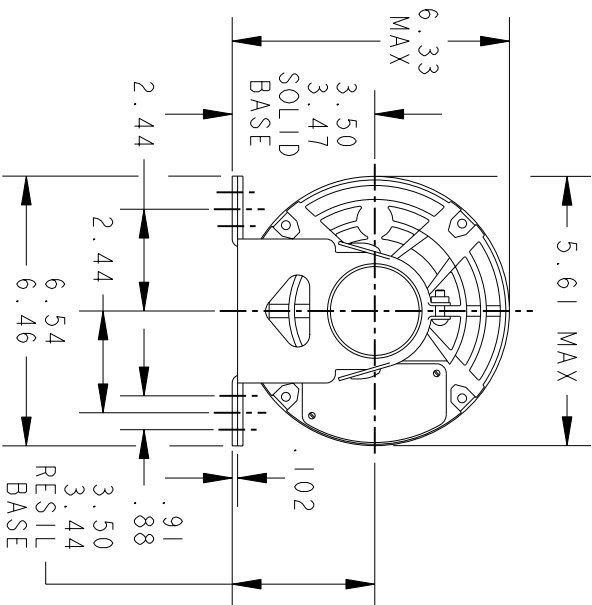
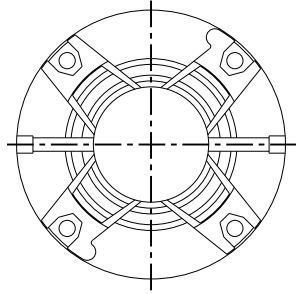
THIRD ANGLE PROJECTION



REVISIONS

REV.	DESCRIPTION	DATE	APPROVED
8	REDRAWN NO CHANGE T196-22390	07/10/96	MDP
9	CHG TO RBC FORMAT PER 1S05-1777	12/16/05	PRAVEEN.K

VIEW SHOWING PE VENTILATION OPENINGS



\*W IS A CLEARANCE DUE TO VARIATION IN PARTS & ASSEMBLY.

PT	TYPE	GE SIZE	NEMA FR	C	K	L	N	N-W	ZB
3	KH	33	56Z	9.88	1.16	4.42	1.50	1.63/1.41	.55/.52
2	KH	36	56Z	10.69	1.91	4.23	2.25	2.38/2.16	.55/.52
1	KH	35	56Z	10.26	1.91	3.80	2.25	2.38/2.16	.55/.52

**REGAL-BELOFT CORPORATION**

TITLE **OUTLINE**

**FORM N-GENERAL PURPOSE MOTOR-DRIP PROOF-SOLID OR RESIL BASE-BALL OR SLEEVE BEARING. FWF 5KH35JN30X**

SIGNATURES		DATE
MODEL	JPK	02/11/76
DETAIL		
CHECKED		
ENGRG		
MFG		
QUALITY		
ISSUED	MDP	07/10/96
FOR ADDITIONAL INFO REFER TO:		
APPLIED PRACTICES		
DIMENSIONS ARE IN INCHES		
MATERIAL		
SOLID MODEL: 52A101925		

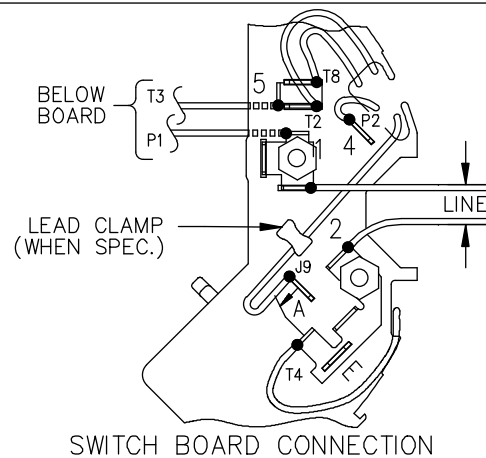
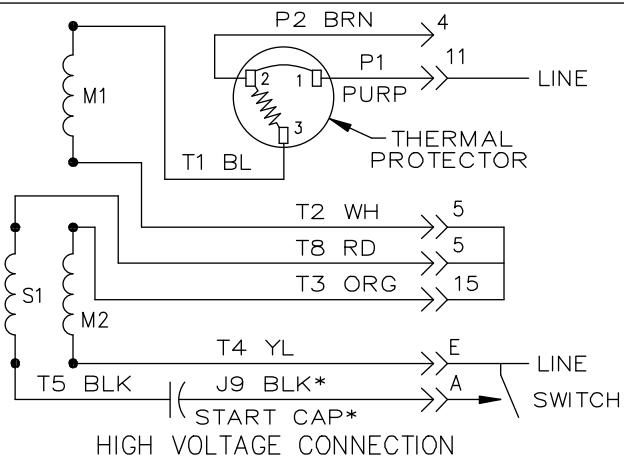
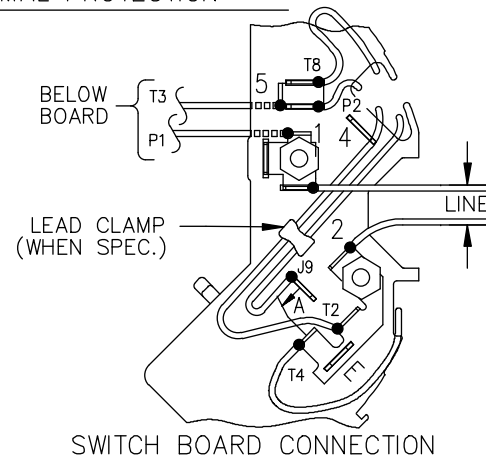
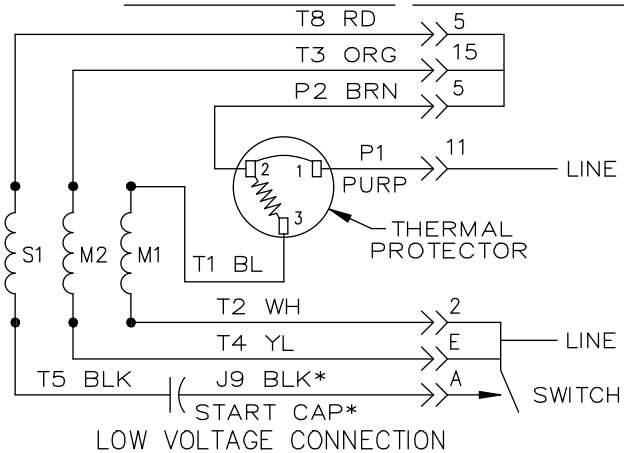
SCALE: 1.000 REF. No.: .

SIZE DRAWING **A**

REV **9**

SHEET 1 of 1

EITHER ROTATION, DUAL VOLTAGE, TYPE KC OR KH, WITH THERMAL PROTECTION



NOTE #1 - START CAP & J9 WHEN SPECIFIED (\*). IF NO CAPACITOR (KH), CONNECT T5 DIRECTLY TO SWITCH (A). WHEN MORE THAN ONE CAPACITOR IS USED, CONNECT IN PARALLEL.

NOTE #2 - TO REVERSE ROTATION, INTER CHANGE RD(T8) AND BLK(J9-KC OR T5-KH) LEADS.

SWITCH REF. - 115D958AB	CONNECTION LABEL	CCW ROTATION: NP52X332051AA
		CW ROTATION: NP52X332051AC

NO.	REVISION	BY & DATE	CHK	ANG	FINISH	TOLERANCES UNLESS SPECIFIED		DRAWN M.D.P 06/29/87		
						DEC.	INCHES			
						.X	±0.1	CHK		
						.XX	±0.02	APPD M.D.P 03/26/96		
5	ADDED CONNECTION LABEL PER ECO-0030779	UD 02/06/13	PKG	.XXX	±0.005	TITLE CONNECTION DIAGRAM		SCALE 1=1		
4	UPDATED PER ISO7-0150	MD 01/23/07		.XXXX	±0.0005	30 FRAME SWITCH REDESIGN		REF		
					MAT'L.			FMF		
								PREV		
THIS DRAWING IN DESIGN AND DETAIL IS OUR PROPERTY AND MUST NOT BE USED EXCEPT IN CONNECTION WITH OUR WORK. ALL RIGHTS OF DESIGN AND INVENTION ARE RESERVED. THIS IS AN ELECTRONICALLY GENERATED DOCUMENT - DO NOT SCALE THIS PRINT						RFP	CAD FILE 52A105383AA	SIZE A	DRAWING NO. 52A105383AA	REV. 5
						DIST				

